

Installation Instructions

Step 1

Select the proper length latch (see illustration "A") which matches your present patio latch length. Mount the selected latch as shown in illustration "A".

Step 2

Place the inside assembly into the inside of the door frame. Place the outside plate into the outside of the door frame and fasten together with machine screws provided.

Step 3

Align keeper (illustration "B") to engage latch. If you have difficulty with latching the set you should experiment by using a shorter or longer latch until the desired engagement is achieved.

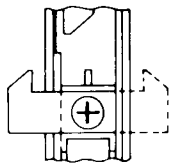
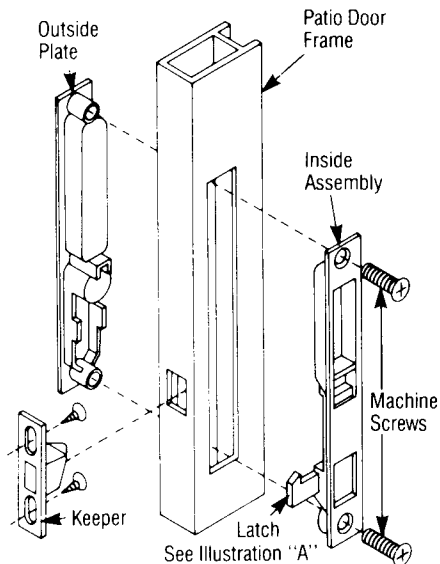


Illustration "A"

The patio latch pictured above may be mounted for right or left hand application.

Illustration "B"



Wright Products

Rice Lake, Wisconsin 54868 U.S.A.