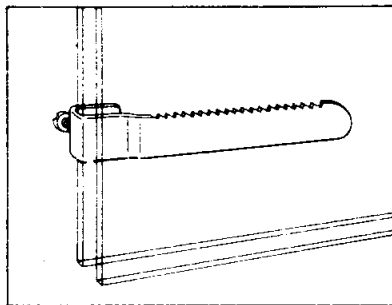


# Installation Instructions

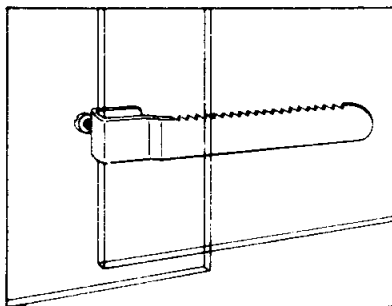
## Step 1

Position notched lock plate on inside panel as shown.



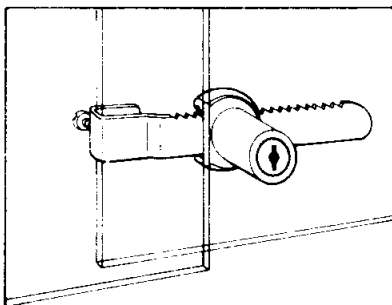
## Step 2

Slide outside panel to opposite side as far as it will go.



## Step 3

Slide lock over lock plate so the flat side fits against outside panel edge. No key required to lock.



**Wright Products**

Rice Lake, Wisconsin 54868 U.S.A.

98302-00 Rev. B