

INSTALLATION INSTRUCTIONS

For a Door Thickness of 1 1/4" to 2 1/4".

1. Unscrew lock case and old cylinder from door. NOTE: Measure length of old tailpiece sticking out of door.

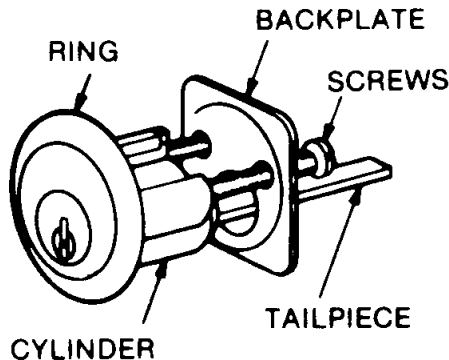
2. Insert new cylinder with ring into hole, with trademark right side up.

3. Mark length of tailpiece same as old cylinder. Remove cylinder and break off tailpiece at mark. Replace cylinder into hole.

This rim lock cylinder requires a 1 1/4" hole in the door. Replacement cylinders require no drilling of door in most cases.

4. Assemble backplate and screws (cut or break screws to desired length).

5. With key removed, place lock case onto tailpiece and attach to door.



Wright Products

Rice Lake, Wisconsin 54868 U.S.A.

98416-00 Rev. A