

Installation Instructions

Step 1

Select the proper length latch (see illustration "A") which matches your present patio latch length. Mount the selected latch as shown in illustration "A".

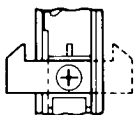


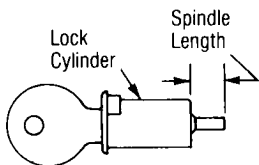
Illustration "A"

The patio latch pictured above may be mounted for right or left hand application.

Step 2

Measure your door thickness. The lock supplied will fit doors from 1" to 1⁵/₁₆" in thickness only. It may be necessary to shorten the lock spindle with a hack saw or file. See dimensions below.

Door Thickness	Spindle Length Required
1 ¹ / ₄ " to 1 ⁵ / ₁₆ "	As Is
1 ¹ / ₈ " to 1 ¹ / ₄ "	3 ³ / ₈ "
1" to 1 ¹ / ₈ "	1 ¹ / ₄ "



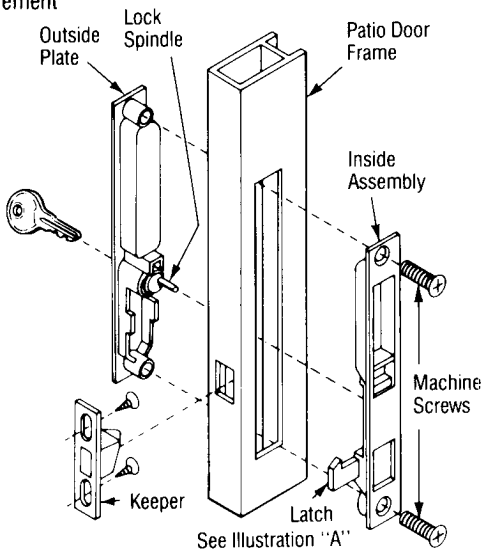
Step 3

Place the inside assembly into the inside of the door frame. Place the outside plate into the outside of the door frame and fasten together with machine screws provided.

Step 4

Align keeper (illustration "B") to engage latch. If you have difficulty with latching the set you should experiment by using a shorter or longer latch until the desired engagement is achieved.

Illustration "B"



Wright Products

Rice Lake, Wisconsin 54868 U.S.A.